

KEY FEATURES

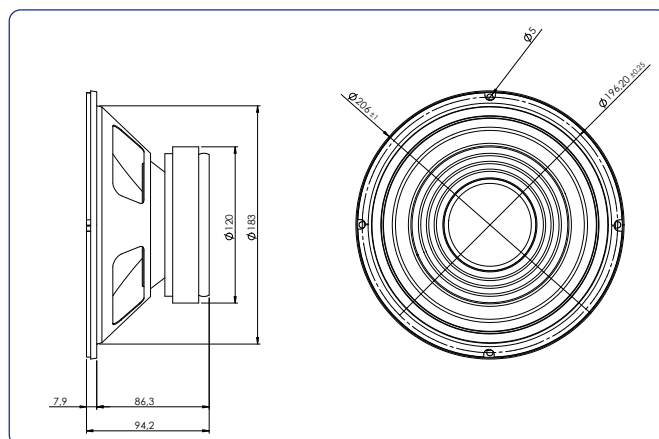
- 200 W program power.
- 92,4 dB, 2,83V @ 1m sensitivity.
- Extended controlled displacement: $X_{max} \pm 6,7$ mm.
- Treated cloth surround.
- Smooth and flat response and low distortion.
- Suited for bass and midbass applications in small vented cabinets.
- Steel basket.
- Ferrite magnet.



TECHNICAL SPECIFICATIONS

Nominal diameter	200 mm	8 in
Rated impedance		8 Ω
Minimum impedance		7,7 Ω
Power capacity*		100 W _{RMS}
Program power		200 W
Sensitivity	92,4 dB	2.83v @ 1m @ 2 π
Frequency range		40 - 5.000 Hz
Recom. enclosure vol.	20 / 60 l	0,71 / 2,12 ft ³
Voice coil diameter	38,1 mm	1,5 in
Magnetic assembly weight	1,8 kg	3,97 lb
BL factor		9,8 N/A
Moving mass		0.022 kg
Voice coil length		16 mm
Air gap height		6 mm
X _{damage} (peak to peak)		25 mm

DIMENSION DRAWINGS



MOUNTING INFORMATION

Overall diameter	206 mm	8,11 in
Bolt circle diameter	196,2 mm	7,72 in
Baffle cutout diameter:		
- Front mount	183 mm	7,2 in
- Rear mount	194 mm	7,64 in
Depth	94,2 mm	3,71 in
Volume displaced by driver	1,5 l	0,05 ft ³
Net weight	2,18 kg	4,81 lb
Shipping weight	2,34 kg	5,16 lb

Notes:

* The power capacity is determined according to AES2-1984 (r2003) standard. Program power is defined as the transducer's ability to handle normal music program material.

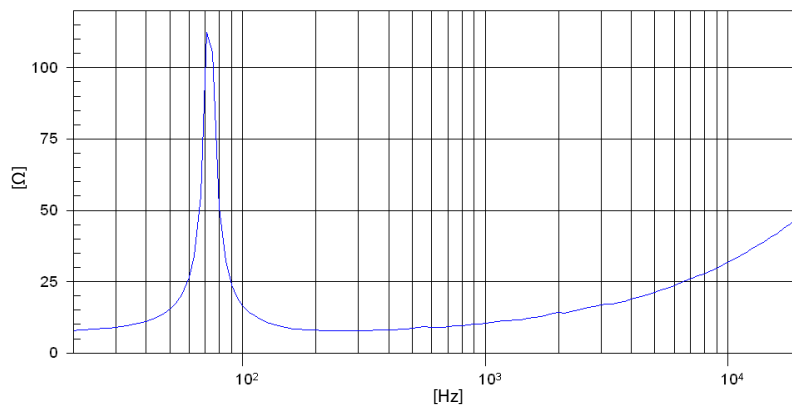
** T-S parameters are measured after an exercise period using a preconditioning power test. The measurements are carried out with a velocity-current laser transducer and will reflect the long term parameters (once the loudspeaker has been working for a short period of time).

*** The X_{max} is calculated as $(L_{vc} - H_{ag})/2 + (H_{ag}/3,5)$, where L_{vc} is the voice coil length and H_{ag} is the air gap height.

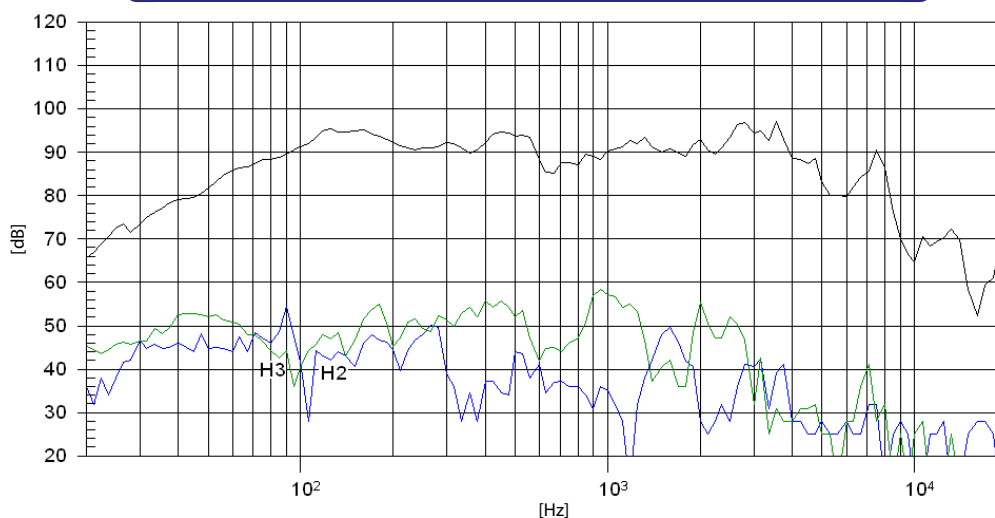
THIELE-SMALL PARAMETERS**

Resonant frequency, f_s	73 Hz
D.C. Voice coil resistance, R_e	6,2 Ω
Mechanical Quality Factor, Q_{ms}	13,46
Electrical Quality Factor, Q_{es}	0,65
Total Quality Factor, Q_{ts}	0,62
Equivalent Air Volume to C_{ms} , V_{as}	14,6 l
Mechanical Compliance, C_{ms}	216 μ m / N
Mechanical Resistance, R_{ms}	0,75 kg / s
Efficiency, η_0	0,84 %
Effective Surface Area, S_d	0,022 m ²
Maximum Displacement, X_{max} ***	6,7 mm
Displacement Volume, V_d	124 cm ³
Voice Coil Inductance, L_e @ 1 kHz	1,2 mH

FREE AIR IMPEDANCE CURVE



FREQUENCY RESPONSE AND DISTORTION



Note: On axis frequency response measured with loudspeaker standing on infinite baffle in anechoic chamber, 1W @ 1m